



MODEL TEE-10HP

SHEAR/BLENDER/EMULSIFIER

GENERAL DESCRIPTION

The TUCS SHEAR BLENDER EMULSIFIER is a pump and blender in one. The shear pump has an integrated impeller that provides high flow rates while shearing, blending, and mixing the product. The emulsifier will improve product consistency, reduce processing time, and is economical to operate and maintain. It is designed for continuous duty.



Tucs Model TEE-10HP

CERTIFICATIONS

Pending



TUCS Equipment, Inc.
755 County Road 18 S. • Princeton MN 55371
Phone 763-574-7475 Fax 763-574-7472
www.tucsequipment.com

ITEM NO.

PROJECT

QUANTITY

AIA NO.

CONSTRUCTION & FEATURES

All stainless-steel construction type 316L product contact surfaces, type 304L elsewhere ■ Heavy-duty dolly style cart with solid wheels ■ Waterproof controls ■ Outlet package includes two (2) 2" x 36" USDA food safe hoses made for hot or cold product, dairy clamps, gaskets and a 180-degree hook/nozzle ■ 3" Inlet Package (food-safe hoses, gaskets, and dairy clamps) ■ 10HP

OPTIONS

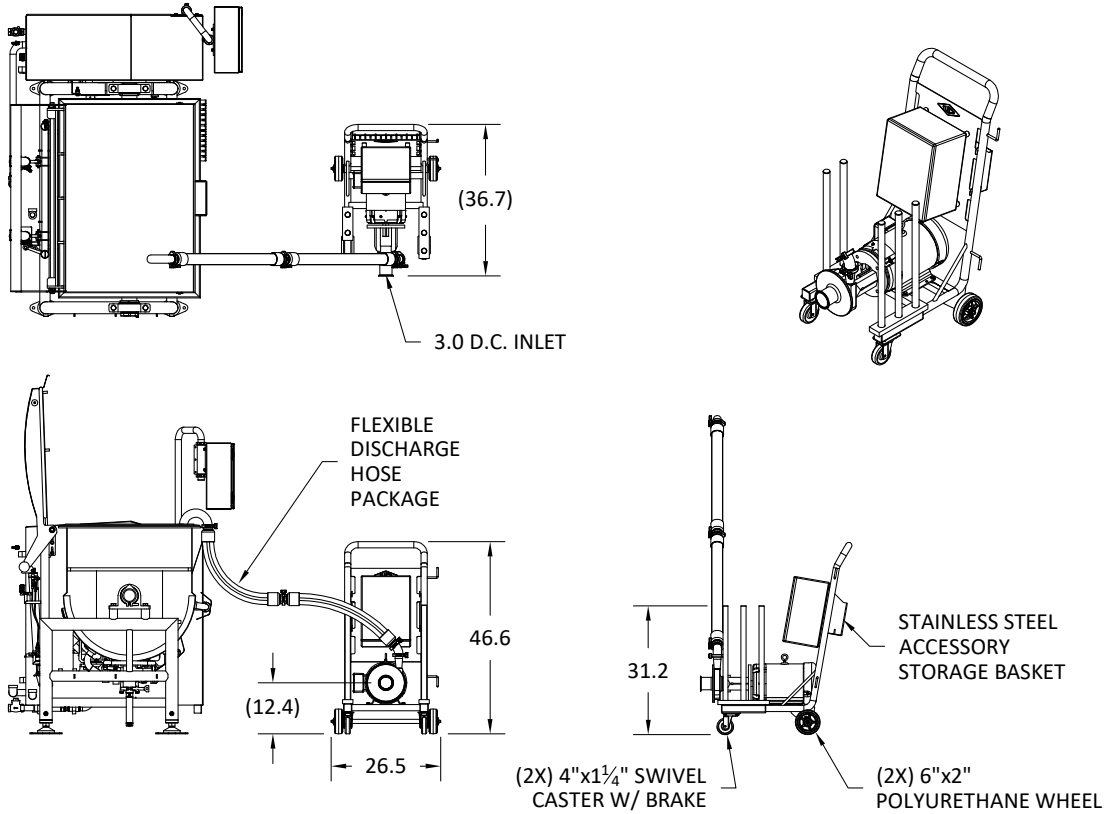
- Voltage 208, 230, 480-60/3
(Other voltages on application)

MODEL TEE-10HP
SHEAR/BLENDER/EMULSIFIER

Scan this QR code with your smart phone to visit our website for more information.



MODEL TEE-10HP
SHEAR-BLENDER-EMULSIFIER CART



3.0 DIA. FLEXIBLE INLET HOSE - TEITP

2.0 DIA. FLEXIBLE DISCHARGE HOSE

REQUIREMENTS					
MODEL #	HP	VOLTS 60 Hz/3 PH	AMPS	PUMP INLET	PUMP DISCHARGE
TEE-10HP	10	208/230V	28.0/24.4A	3" D.C.	2" D.C.

NOTES:

1. IP20, 250V, 3 POLE, 4 WIRE, TWISTLOCK PLUG AND MATCHING FEMALE RECEPTACLE INCLUDED.
2. 20' CORD INCLUDED.
3. 208/230V STANDARD, 460V OPTION AVAILABLE.

7/12/2021

Due to continuous improvements, specifications subject to change without notice.

© 2021 TUCS Equipment. All Rights Reserved. Printed in the USA.